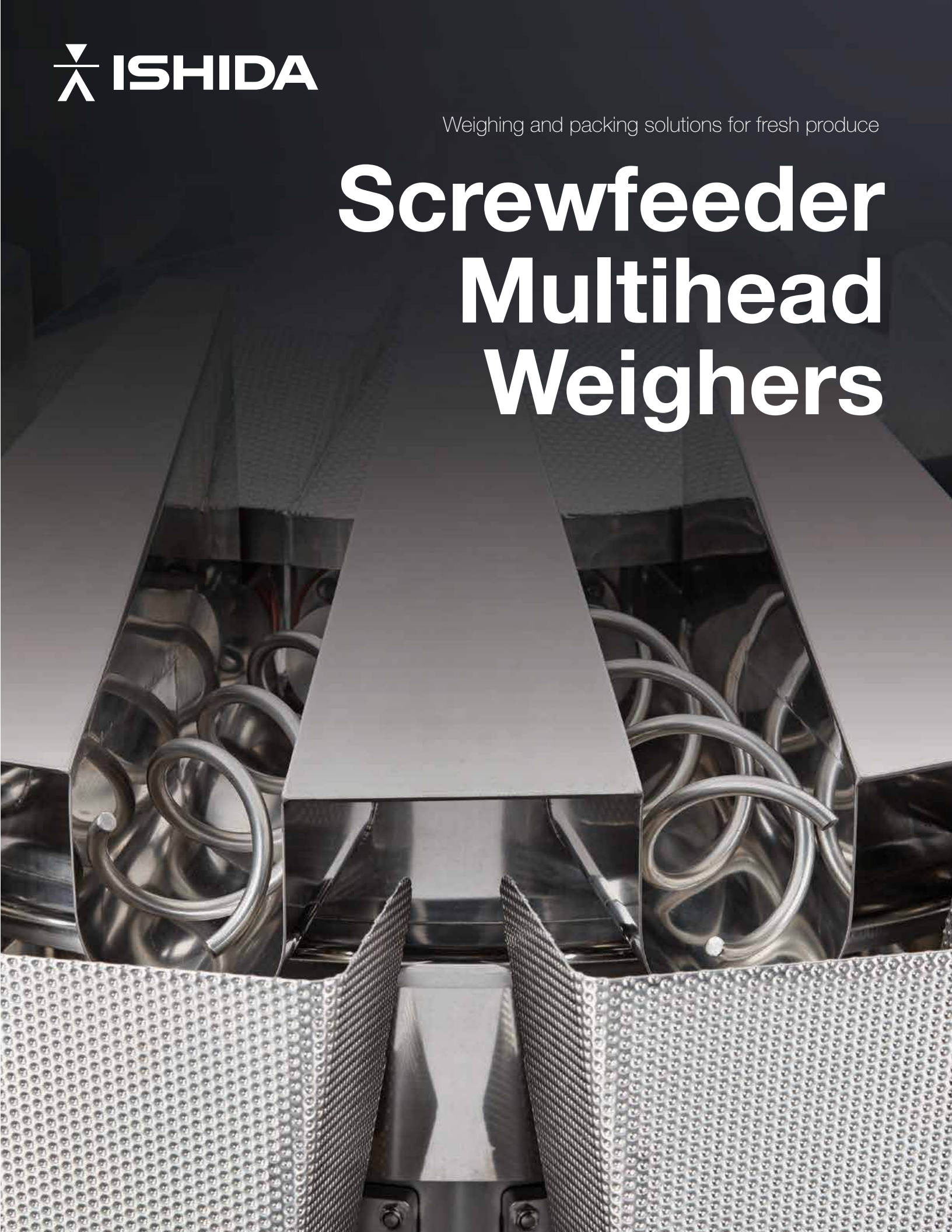




Weighing and packing solutions for fresh produce

Screwfeeder Multihead Weighers



Faster calculation, more combinations, greater efficiency

ISHIDA's latest combination calculation hardware and software is unique and fast. So fast that it can put together not one but three different combinations for each weighment and double-check the results. This virtually eliminates the situation that can occur with ordinary multiheads, where an incorrect weighment has to be dumped, causing the weigher to miss a cycle.

Accuracy that drives down giveaway

The advanced technology behind this speed and efficiency also provides greater accuracy. This ensures that every pack of chicken drumsticks, pork medallions and fish fillets has a greater chance of being close to the target weight, maximizing yield and reducing giveaway to fractions of a gram.

Engineered to meet the special challenges of screwfeeder weighing

It takes robust equipment to withstand the strong forces needed to disperse incoming pieces, to push forward large amounts of sticky product and to endure the toughest of cleaning regimes. ISHIDA's recognized engineering expertise is applied to ensure that our weighers are better equipped for the task than other brands.

Taking weigher hygiene to new levels

ISHIDA also combines its development resources with its ever-growing practical experience to eliminate food traps and make key parts easier to reach and clean effectively using standard methods.

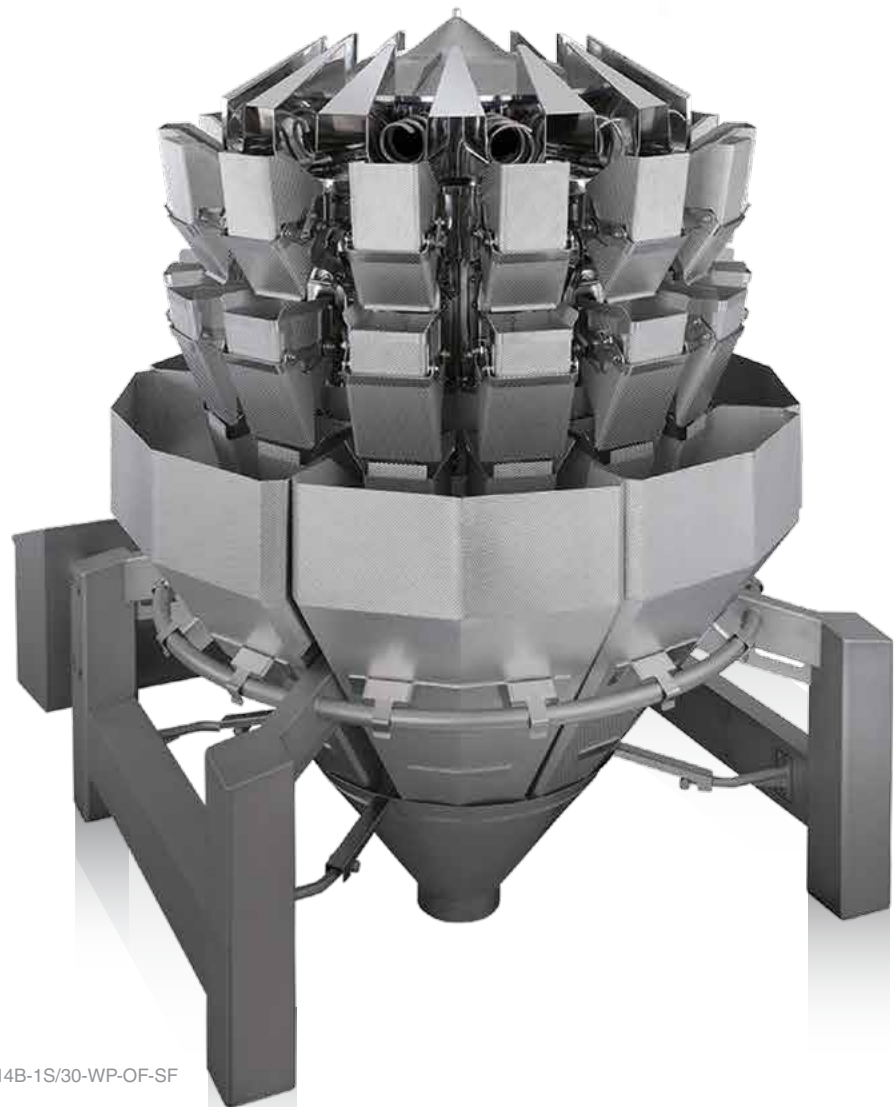


ISHIDA Screwfeeder Multihead Weighing

Ahead at the beginning, still ahead today

ISHIDA invented the multihead weigher, which allows products to be weighed into packs accurately, automatically and at high speed.

Since then, it has maintained its quality and technical leadership in the field with one advance after another. At the same time, ISHIDA has evolved into a provider of complete weighing and packing solutions, including checkweighing, tray sealing and testing, X-ray inspection and pick-and-place case packing systems.



CCW-RV-214B-1S/30-WP-OF-SF

Just a few of the features that make screw feeders a leading technology



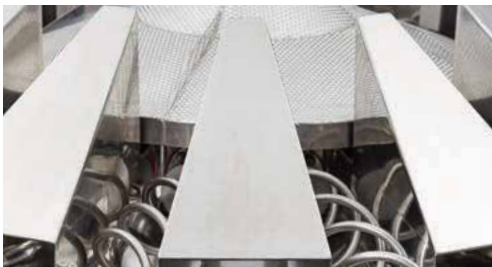
More hygienic, less complex

Products entering the machine flow smoothly to the screwfeeders thanks to the elimination of potential trapping points. The key is a new shape at the top that is easy to remove and clean, with no complex clips or elaborate roller systems.



Effectively sealed dispersion table

A lip around the underside of the dispersion table, combined with the circular blue PTFE gasket, eliminates the gap between the table and the body. The resulting labyrinth seal is virtually impenetrable by food fragments, yet the table can be lifted off in seconds for cleaning.



Smaller products do not get trapped between the fence and the dispersion table

The fence is the dart-shaped structure which prevents products from falling between the two screwfeeder troughs. On some weighers, there is a potential trapping point (especially for smaller product pieces) where it meets the dispersion table. ISHIDA has eliminated this by introducing square-ended fences.



Improved handling of 'long' products

An option for large-hopper machines means that standard fences can be removed and replaced with more specialized shapes in order to create easier paths for long pieces such as whole chicken legs.



IP69K-rated ISHIDA RV Open Frame weigher

The IP69K-compliant open frame design reduces cleaning and maintenance time thanks to the more accessible structure and flexible electrical units that can be placed up to 20m away from the main body. The open structure aids draining and prevents the build-up of food residue.

* The weighers with scraper gate type hoppers are IP65 rated.

* The Open Frame is optional.



Hoppers lift off instantly

As an alternative to cleaning-in-place, the hoppers can be manually lifted off and placed on a wash rack or in a washing machine. Replacing them is equally quick and simple.



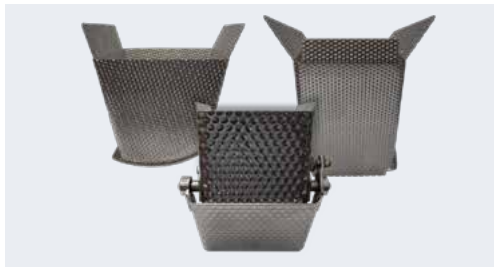
Screws are now easier to attach and remove

A new twist-to-fit mechanism makes it quick and easy to manually insert and remove the screws. High-quality bearings help ensure that the solidly supported ISHIDA screws deliver long-lasting performance in a task that can quickly wear out less robustly constructed equipment.



Pool hopper control by sensor or Loadcell

With smaller target weights, weighing can be more efficient when there is just one product piece to a head. On some models, a sensor or a Loadcell in the pool hopper can sense when one piece has fallen from the trough above, causing the screw to stop turning until the contents have been used in a weighment.



Wider range of hopper types

Available hopper sizes include 1.5, 2, 3, 5 and 7 litres. Single-opening and double-opening types are available as well as models with scraper gates.



Continuous welded surfaces

Product contact surfaces are continuously welded with generous radii and are polished smooth to prevent bacteria growth.

* Continuous welding is optional.

The broader picture that means ISHIDA can offer a better commercial proposition



ISHIDA provides systems that maximize your profitability

ISHIDA designs and builds entire packing lines and complete packing halls, whether as upgrades to existing facilities or starting from scratch.



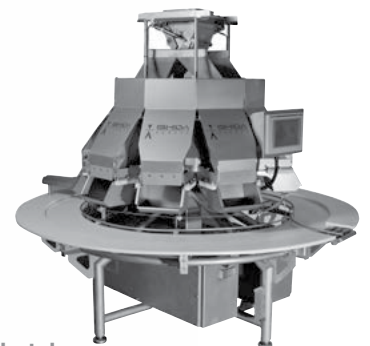
Full packing line including multihead weigher, gantry, infeed, conveyor, batching table, traysealer, X-ray inspection, seal testing, labelling, vision system and pick-and-place case packing.

With our extensive knowledge of weighing and its overall role in packing, we will advise you when there are alternatives to screwfeeder weighing that may suit your particular circumstances.



ISHIDA Weigh-Batcher

A unit combining a weigher with operator stations and sophisticated signalling to maximize the synergy between man and machine.



ISHIDA Rotobatcher

ISHIDA's latest approach places the screwfeeder directly above the batching/styling team in order to maximize use of floor space.

Applications

A wide choice of screw configurations, available in numerous shapes and sizes to suit different product characteristics.



Chicken breast/thigh fillets

Target weight : 500 g (three or four pieces) **Expected speed : 55 WPM**

CCW-RV-214WB-1S/30-WP-SF

Pool hoppers require sensors when dealing with smaller target weights, to increase combinations and thus ensure greater production efficiency.



Chicken leg quarters

Target weight : 2 kg **Expected speed : 40 WPM**

CCW-RV-214W-1S/70-WP-SF

Special fences for long products, large screws for chicken leg quarter and a rotating dispersion table improve product handling.



Cubed meats

Target weight : 500 g **Expected speed : 55 WPM**

CCW-RV-214W-1S/30-WP-SF

Special software for smaller target weights ensures greater efficiency. The machine is equipped with a rotating dispersion table and fences.



Livers/Gizzards

Target weight : 200 g **Expected speed : 50 WPM**

CCW-R-214WB-1S/15-WP-SH-SF

Scraper gate type hoppers made of POM plastic material prevent highly sticky products from getting stuck to the inside of hoppers. Anti-leakage parts are also appropriate.



Marinated mashrooms

Target weight : 170 g (per side) **Expected speed : 40 WPM** (per side)

CCW-R-220WB-1D/20-WP-SH-SF

This model is equipped with a dual discharge outlet. Scraper gate type hoppers made of stainless steel prevent highly sticky products from getting stuck to the inside of hoppers.





ISHIDA CO., LTD. www.ishida.com

44 Shogoin Sannocho, Sakyo-ku,
Kyoto, 606-8392, Japan
Tel: +81 (0)75 751 1618 Fax: +81 (0)75 751 1634



HEAT AND CONTROL, INC.

www.heatandcontrol.com
21121 CABOT BLVD. HAYWARD, CA 94545-1132 USA
info@heatandcontrol.com